

MEGAMAN® PIR Sensor Module

LA11076



PIR Sensor



Instruction Manual | Bedienungsanleitung | Manual de instrucciones | Manuale d'istruzioni | Manuel d'instructions | Handleiding | Návod k použití



H07RN-F/3X1.5 → IP66



MEGAMAN®



www.megaman.cz/user-guide



A1



1 PCS

A2

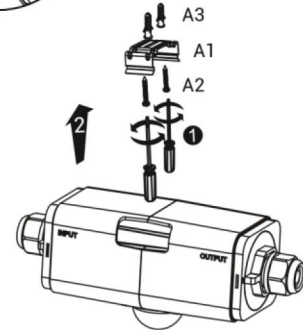
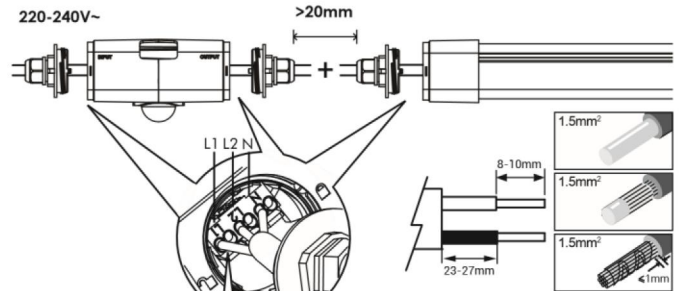
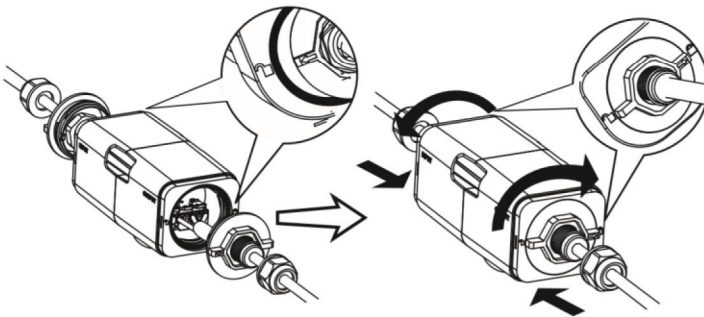
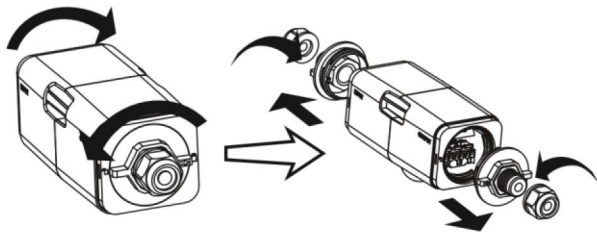


2 PCS

A3

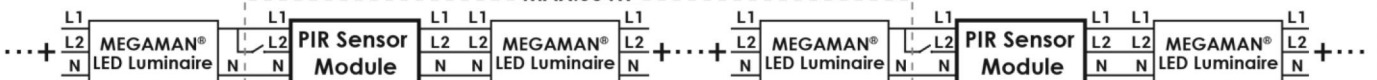


2 PCS



MAX.6A

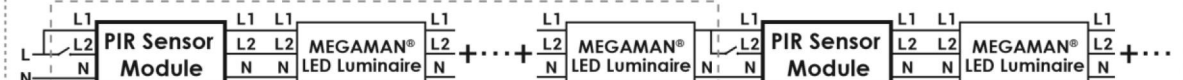
MAX.504W



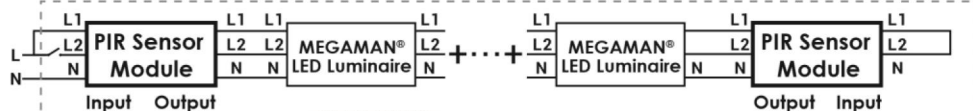
or

MAX.6A

MAX.504W



L1: Permanent Live - Max. 6A
L2: Switched Live - Max. 504W / 2.4A
Used with a rating 16A external protector



MAX.504W

MEGAMAN® PIR Sensor Module

LA11076



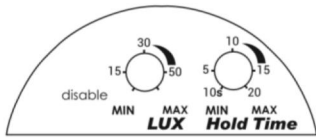
Instruction Manual | Bedienungsanleitung | Manual de instrucciones | Manuale d'istruzioni | Manuel d'instructions | Handleiding | Návod k použití



10sec/5min/10min/15min/20min



15lux/30lux/50lux/disable

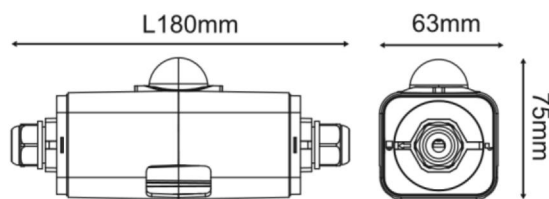
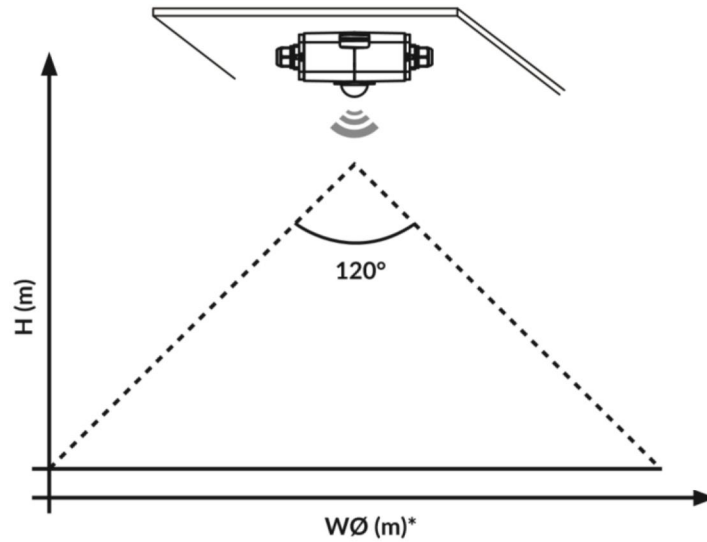


STARTUP



H (m)	WØ (m)*
2 (min.)	5
3	7
4	11
5	13
6	13
7	14
8	14

*±20% tolerance subject to environmental conditions



220-
240V~

50/60
Hz

Ta
-20°C ~ +50°C **IP66 IK08**



Neonlite Electronic & Lighting (HK) Ltd.

31/F, AIA Kowloon Tower, Landmark East, 100 How Ming Street,
Kwun Tong, Kowloon, Hong Kong

Ver.2017.10_V1